

NASSAU COUNTY
SIDEWALK AND ROAD OPENING
PERMITS

****PLEASE READ EVERY PAGE****

YOU MUST CALL THE PERMIT OFFICE
48 HRS IN ADVANCE
TO SCHEDULE ANY WORK
(REMOVAL AND RESTORATION)

OFFICE NUMBER IS 516-571-6840
HOURS - 9AM TO 12PM & 1PM TO 4PM
MONDAY THROUGH FRIDAY
(EXCULDING HOLIDAYS)

SCHEDULING IS DONE BY THE OFFICE ONLY
AND ONLY IF THE DAY AND TIME IS AVAILABLE
****Do not leave a message for any inspector to**
schedule, only the front office can do this**

BASIC GUIDELINES FOR PERMIT WORK

ALL WORK MUST FOLLOW THE NASSAU COUNTY 2009 SPECIFICATIONS

NASSAU COUNTY CLASS A CONCRETE ONLY

1. ALL EXPANSION JOINTS MUST BE ½" THICK AND FULL DEPTH (EX. 5" SIDEWALK = 5" EXPANSION JOINT).
2. 2X6 LUMBER (FORMS) ARE TO BE USED FOR 5" SIDEWALKS.
3. 2X8 LUMBER (FORMS) ARE TO BE USED FOR 7" SIDEWALK AND APRONS FOR COMMERCIAL DRIVEWAYS.
4. EXPANSION JOINTS ARE TO BE PLACED EVERY 20' OF SIDEWALK AND CURB.
5. EXPANSION MATERIAL IS TO BE USED AROUND ALL UTILITY POLES AND HYDRANTS.
6. PVC PIPE SLEEVES SHALL BE PLACED AROUND ALL SIGN POSTS THAT ARE LOCATED IN THE CONCRETE POUR.
7. **** HANDICAP RAMPS MUST BE COMPLIANT TO THE LATEST ADA REQUIREMENTS****
8. HANDICAP RAMPS ARE TO HAVE A #5 REBAR IN THE CURB AND 6"X6" W4.0XW4.0 WIRE MESH IN THE ENTIRE RAMP AREA.
9. HANDICAP RAMPS ARE A MONOLITHIC POUR (ONE SOLID POUR FOR THE ENTIRE RAMP AREA).
10. ANY OTHER DAMAGED OR DISPLACED CURBS AND SIDEWALK THAT ARE LOCATED IN THE COUNTY R.O.W. WILL NEED TO BE REPLACED BEFORE ANY PERMIT CAN BE SIGNED OFF.
11. ASPHALT ROADWAY THAT IS DAMAGED BY CONSTRUCTION WILL NEED TO BE REPLACED IN KIND. 9" MIN TO 12" MAX THICKNESS WITH A 2' CUT FROM THE FACE OF THE CURB. **ALL ASPHALT MUST BE FROM AN APPROVED PLANT. (SEE LIST)**
12. ANY TRAFFIC SIGNAL BOXES, MANHOLES, CATCH BASINS, WATER VALVES, TRAFFIC LOOPS, ETC SHALL BE PROTECTED AND OR ADJUSTED AS NEEDED.
13. TRAFFIC SIGNAL LOOPS THAT MAY BE DAMAGED MUST BE BROUGHT TO THE INSPECTOR'S ATTENTION BEFORE WORK STARTS.

14. SMALL TREE ROOTS CAN BE REMOVED TO CORRECT SIDEWALKS BUT LARGER ROOTS WILL NEED TO BE SEEN BY THE INSPECTOR BEFORE ANY REMOVAL OF THE ROOTS. SOME TREES MAY NEED TO BE REMOVED. IF SO, NASSAU COUNTY WILL FIRST NEED TO HAVE THE TREE INSPECTED BY THE ARBORIST FOR NASSAU COUNTY.
15. PEDESTRIAN SAFETY NEEDS TO BE ADDRESSED PRIOR TO ANY WORK IN THE SIDEWALK AREA.
16. NO WOOD OR OTHER MATERIALS WILL BE ALLOWED TO BE USED AS EXPANSION JOINT MATERIAL.
17. NO BLOCK CURB OR OTHER TYPE THAN CONCRETE WILL BE ALLOWED TO BE USED AS CURB UNLESS PRIOR AUTHORIZATION IS GIVEN.
18. ALL TRAFFIC MAINTENANCE IN THE WORK ZONE SHALL CONFORM TO THE NYSDOT WORK ZONE TRAFFIC CONTROL MANUAL. (SEE THE NYSDOT WEBSITE FOR DETAILS)
19. ALL TEMPORAY PATCHES SHALL BE SEALED WITH HOT ASPHALT ONLY AND MUST BE MAINTANED UNTIL RESTORATION IS COMPLETED. IF THE ASPHALT PLANTS ARE CLOSED THEN COLD PATCH WILL BE ALLOWED BUT MUST BE MAINTAINED UNTIL RESTORATION IS COMPLETED.
20. ANY WORK THAT WILL REQUIRE A CLOSURE OF ANY TRAFFIC LANE CAN ONLY BE CLOSED NO SOONER THAN 9AM AND MUST BE REOPENED BY 4PM.
21. ANY ROAD CLOSURES AND OR DETOURS OF TRAFFIC MUST BE APPROVED IN ADVANCE BY THE PERMIT OFFICE ONLY.

**PLEASE SEE THE ATTACHED SHEETS FOR MORE
DETAILS.**

IF YOU HAVE ANY QUESTIONS

PLEASE CALL OUR OFFICE AT

516-571-6840

PAGE 3 OF 9

FOR ALL PERMITS THAT HAVE CONCRETE
ALL CONCRETE MUST BE
NASSAU COUNTY CLASS A MIX

*WHEN YOU PLACE THE ORDER FOR CONCRETE YOU
MUST ALSO TELL THEM THAT YOU WILL NEED THE
BATCH TICKET FOR THE LOAD AS WELL.*

**DO NOT PLAN ON POURING ANY CONCRETE BEFORE
9AM UNLESS ARRANGEMENTS HAVE BEEN MADE WITH
THE PERMIT OFFICE IN ADVANCE.**

**PLEASE DO NOT MIX THE LOAD BEFORE THE INSPECTOR
IS ON SITE AND HAS APPROVED THE LOAD.**

*IF YOU FAIL TO DO THIS AND THE LOAD IS REJECTED BY
THE INSPECTOR, THE REST OF THE LOAD WILL NOT BE
ALLOWED TO BE PLACED AND WHAT HAS BEEN PLACED
WILL NEED TO BE REMOVED.*

**FAILURE TO COMPLY WILL LEAD TO THE PERMIT NOT
BEING SIGNED OFF UNTIL CORRECTED.**

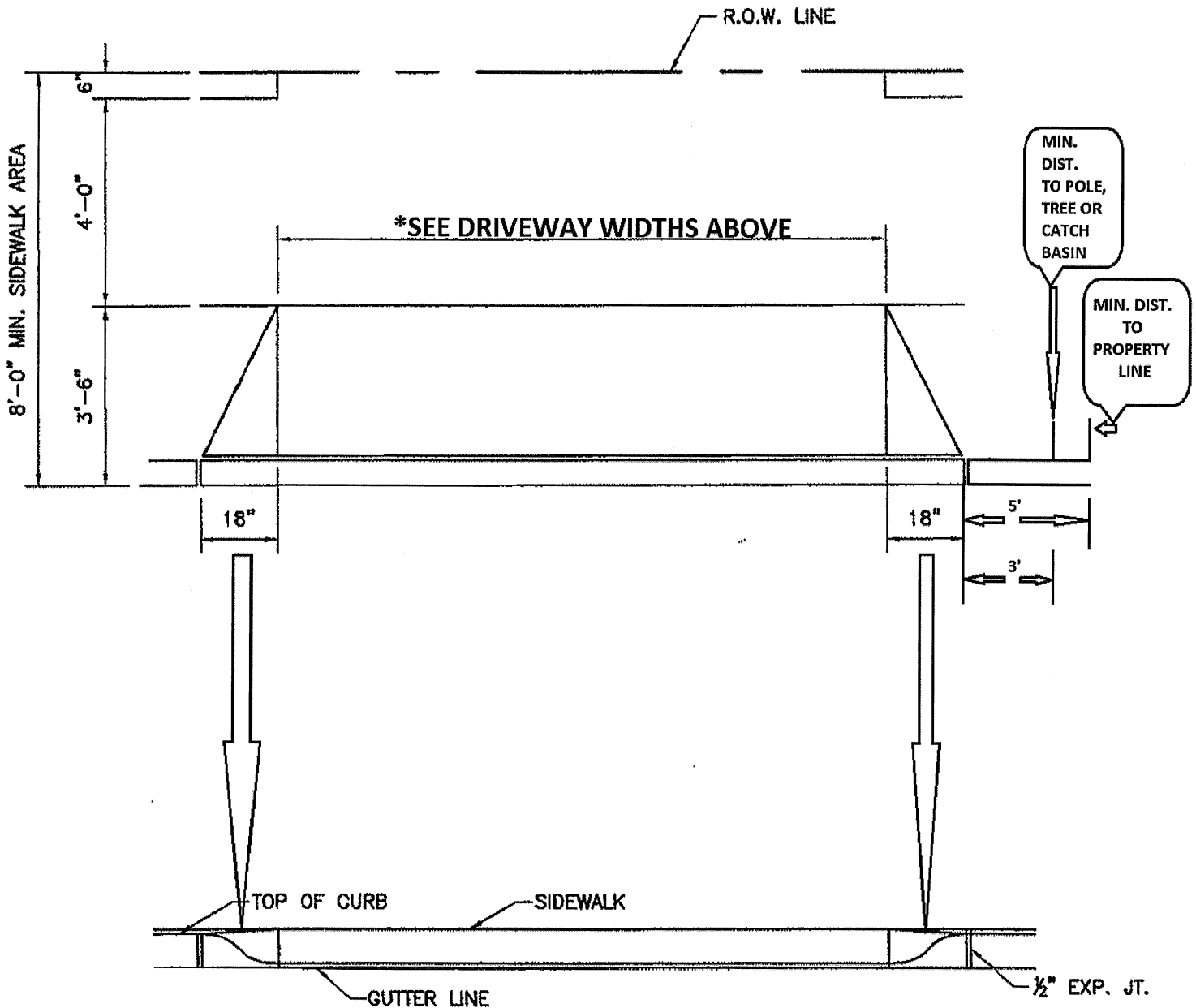
CONCRETE MUST BY NASSAU COUNTY CLASS 'A' ONLY

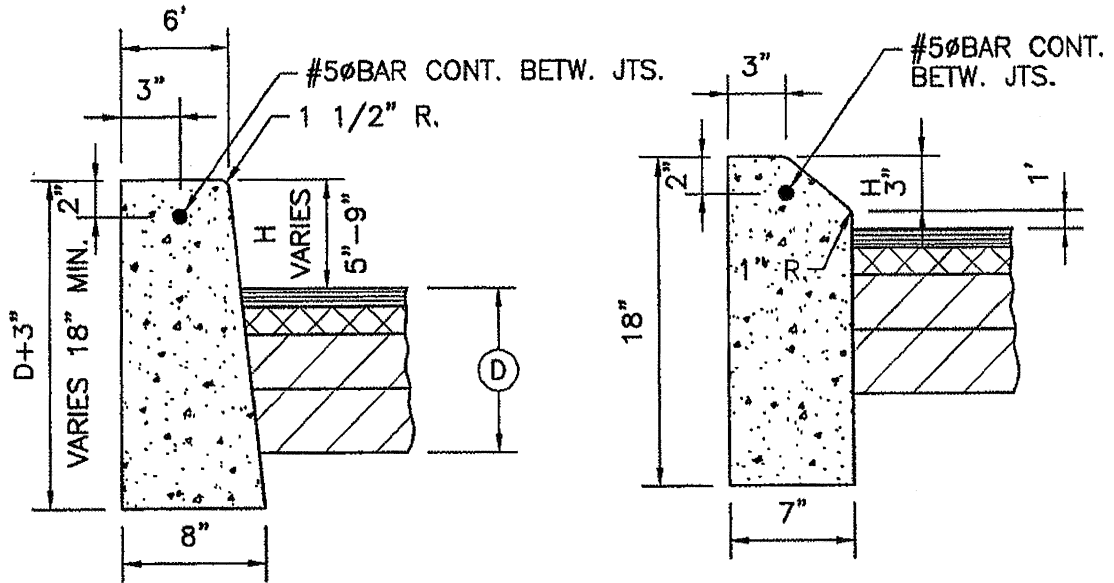
CONCRETE MUST BE FROM AN APPROVED PLANT ONLY

*RESIDENTIAL DRIVEWAY - MINIMUM 13' MAXIMUM 20'

*COMMERCIAL ONE WAY - MINIMUM 20' MAXIMUM 30'

*COMMERCIAL TWO WAY - MINIMUM 30' MAXIMUM 40'



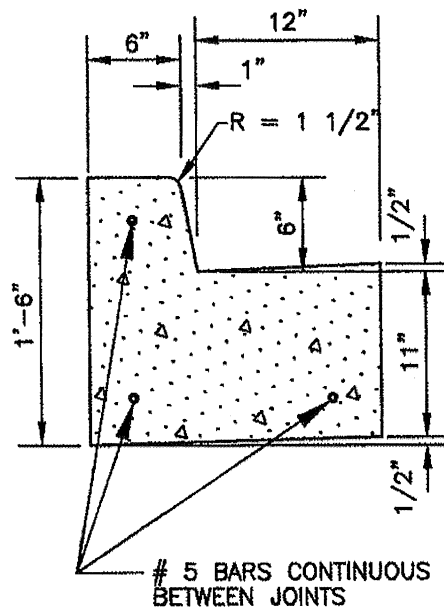


STANDARD CURB

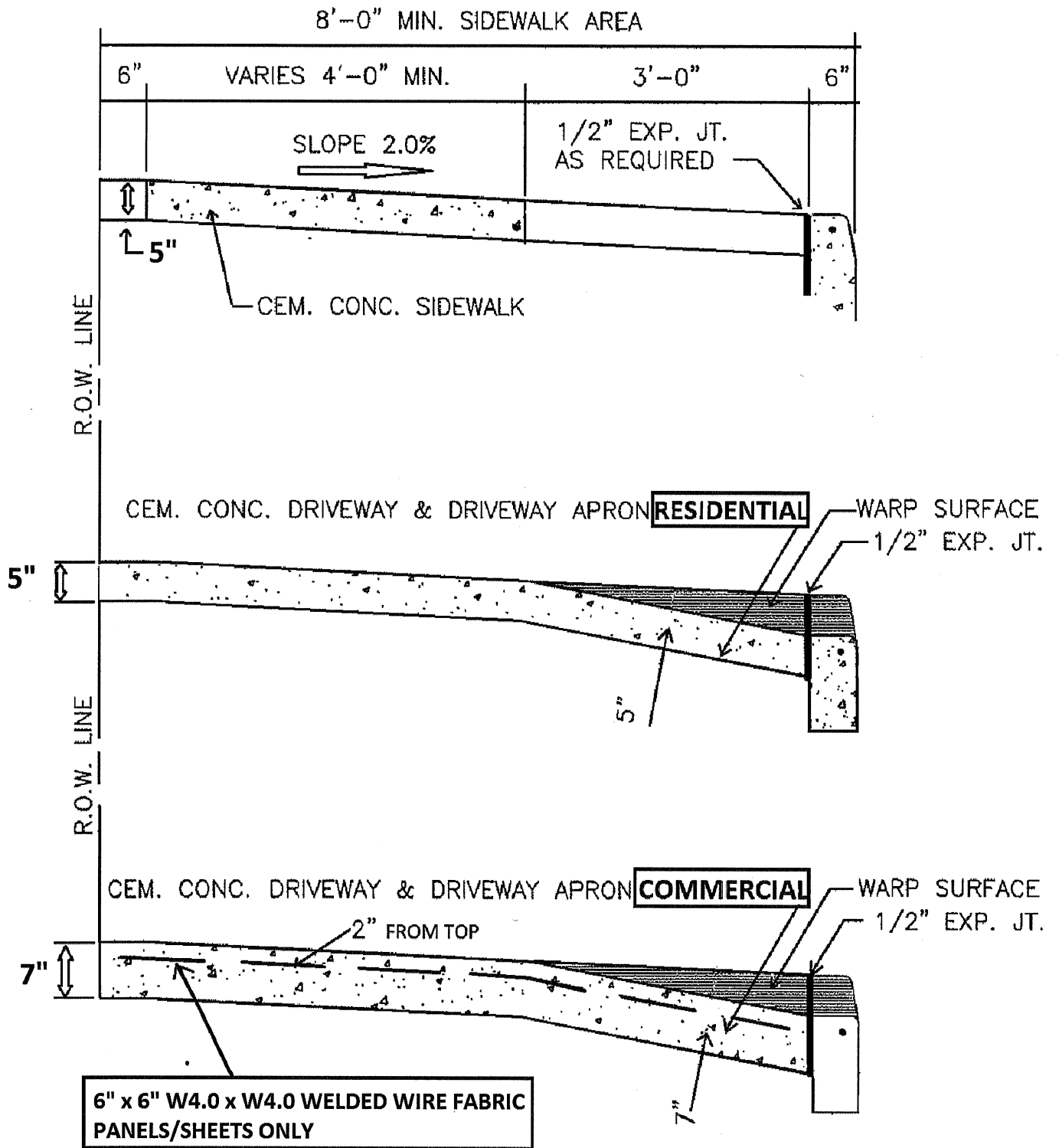
MOUNTABLE CURB

CONCRETE MUST BY NASSAU COUNTY CLASS 'A' ONLY

CONCRETE MUST BE FROM AN APPROVED PLANT ONLY



MONOLITHIC CURB AND GUTTER



CONCRETE MUST BY NASSAU COUNTY CLASS 'A' ONLY

CONCRETE MUST BE FROM AN APPROVED PLANT ONLY

WEATHER LIMITATIONS FOR CONCRETE

1. CONCRETE SHALL BE PLACED ONLY WHEN THE AIR TEMPERATURE IS 40°F AND RISING, OR WARMER, AND WHEN THE GROUND OR BASE IS ALSO AT LEAST 40°F.
2. AIR TEMPERATURES ARE TO BE MEASURED IN THE SHADE; GROUND TEMPERATURE SHALL BE TAKEN JUST BELOW THE SURFACE.
3. MATERIALS THAT CONTAIN FROST SHALL NOT BE USED.
4. WHEN CONCRETE IS BEING PLACED DURING COLD WEATHER AND THE AIR TEMPERATURE MAY BE EXPECTED TO DROP BELOW 35°F, A SUFFICIENT SUPPLY OF STRAW, HAY OR OTHER APPROVED BLANKETING MATERIAL SHALL BE PLACED TO PREVENT FREEZING OF THE THE NEW CONCRETE.
5. ANY CONCRETE LAID DURING COLD WEATHER IS DONE AT THE CONTRACTOR'S RISK AND SECTIONS THAT ARE DAMAGED, SHALL BE REOMVED AND REPLACED.

WEATHER LIMITATION FOR ASPHALT

1. ALL TOP ASPHALT SHALL BE STOPPED WHEN THE TEMPERATURE IS 40°F OR LOWER.
2. ASPHALT BASE PAVING CAN ONLY BE DONE WHEN THE GROUND TEMPERATURE IS ABOVE 20°F AND AS LONG AS THE GROUND IS NOT FROZEN.
3. BASE ASPHALT MUST COMPLY WITH THE CHART SHOWN BELOW TO BE ALLOWED.

g. Seasonal and Weather Limitations. Asphaltic concrete mixtures may be placed only when the combination of material and subgrade temperatures are within the limits shown on the following table:

<u>Subgrade Temp. in °F</u>	<u>Course Thickness in Inches 3 and greater</u> <u>Material Temp. in °F</u>
20-30	285
31-40	280
41-50	275
51-60	270
61-70	265
71-80	265
81-90	260
91 and over	255

4. ALL AIR TEMPERATURES SHALL BE TAKEN IN THE SHADE. GROUND TEMPERATURES SHALL BE TAKEN JUST BELOW THE SURFACE.
5. IF BASE ASPHALT IS PLACED AT A TIME WHEN THERE IS NO TEMPATURE FORECAST TO BE ABOVE 40°F IN THE NEXT 5 DAYS, IT SHOULD BE PLACED TO THE SURFACE LEVEL OF THE ROAD AND THEN MILLED & TOPPED IN THE SPRING.